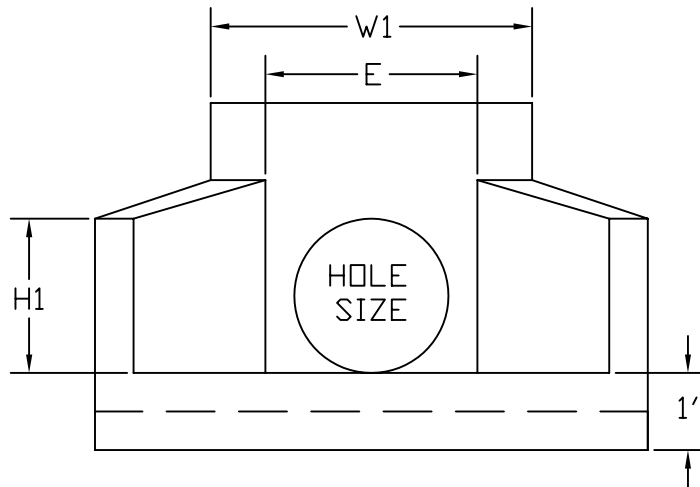
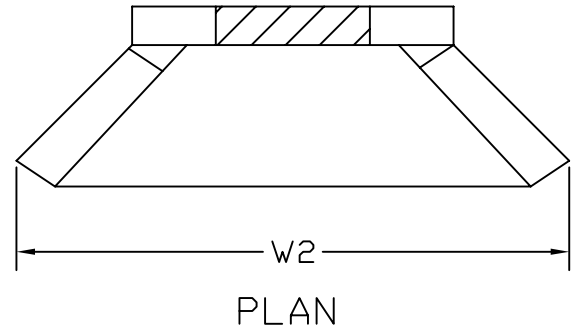


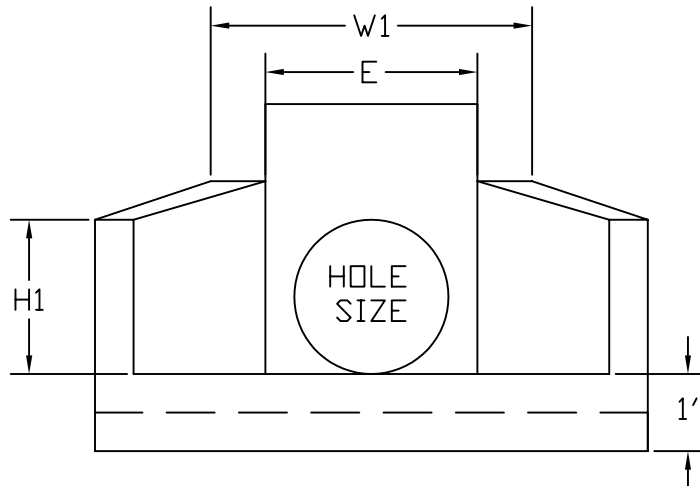
STORM DRAIN HEADWALLS



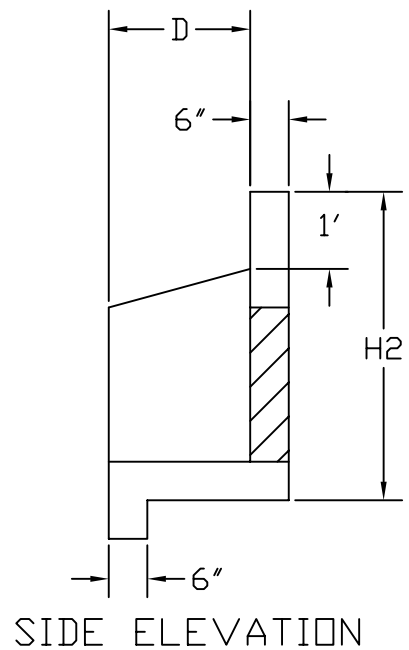
FRONT ELEVATION
"STANDARD DESIGN"



PLAN



FRONT ELEVATION
"CUT-BACK DESIGN"



SIDE ELEVATION

PRODUCT	W1	W2	H1	H2	D	E	HOLE SIZE
HW 12	3'-2"	4'-10"	1'-3"	3'-2"	1'-3"	1'-9"	17"
HW 15	3'-2"	4'-10"	1'-3"	3'-2"	1'-3"	1'-9"	21"
HW 18	4'-2"	7'-2"	2'-0"	4'-0"	1'-10"	2'-9"	24"
HW 24	4'-2"	7'-2"	2'-0"	4'-0"	1'-10"	2'-9"	32"
HW 30*	5'-8"	10'-10"	3'-3"	5'-8"	2'-11"	4'-3"	40"
HW 36*	5'-8"	10'-10"	3'-3"	5'-8"	2'-11"	4'-3"	48"
HW 42*	6'-6"	12'-6"	3'-6"	6'-8"	3'-4"	5'-2"	54"
HW 48	6'-6"	12'-6"	3'-6"	6'-8"	3'-4"	5'-2"	62"

* "CUT-BACK" WALL DESIGN

** CUSTOM SIZES AVAILABLE UPON REQUEST