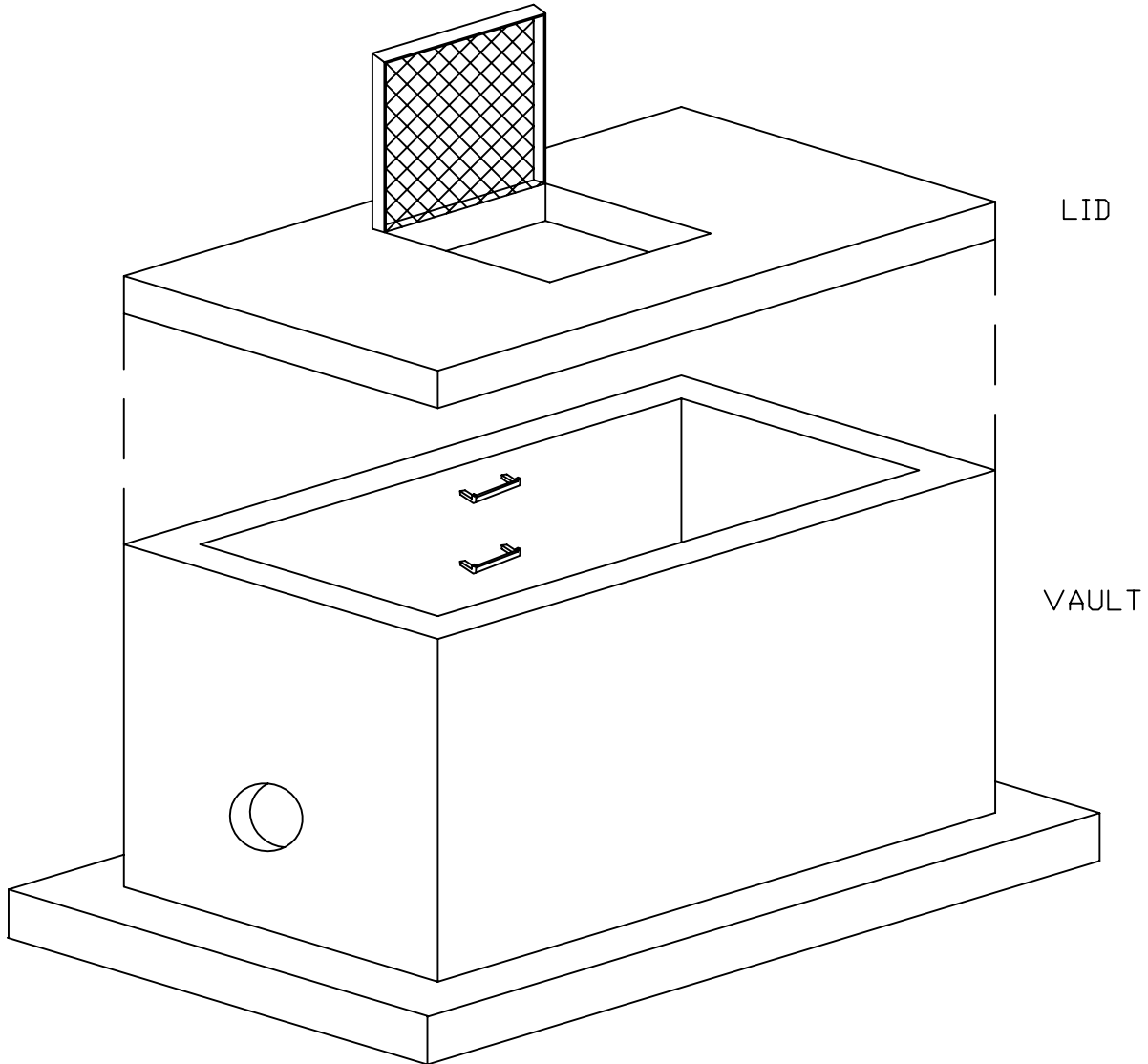


PRECAST VAULTS



- *COMMON APPLICATIONS INCLUDE:
FIRE PROTECTION VAULTS, METER VAULTS, VALVE VAULTS,
COMMERCIAL SEPTIC TANKS AND GREASE INTERCEPTORS.
- *UTILITY VAULTS TO MEET ASTM C-858.
- *GREASE INTERCEPTORS AND SEPTIC TANKS TO MEET ASTM C-890.
- *MINIMUM 4000 psi CONCRETE.
- *REINFORCEMENT TO MEET ASTM A-615.
- *PIPE OPENINGS AS REQUIRED.
- *MST CRANE AVAILABLE ON SOME VAULTS.